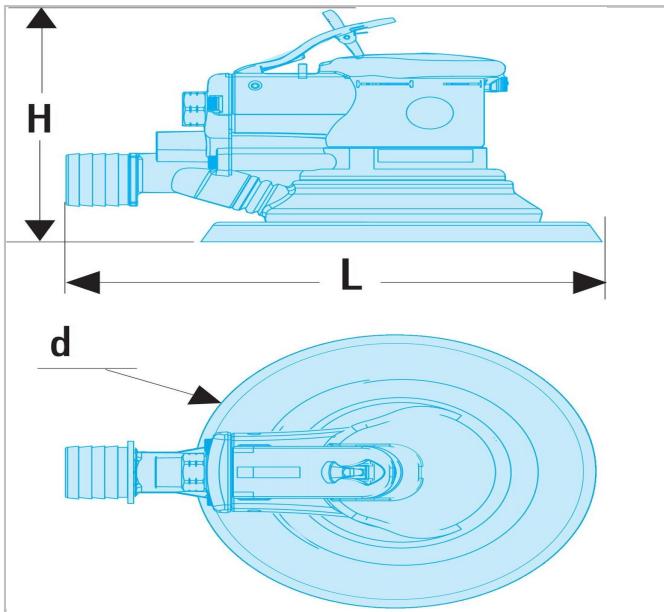



V.252F | Orbital palm sander 150 m - 5 mm orbit



Description:

- Central vacuum exhaust port to allow easy removal of dust if connected to a central vacuum system.
- Easy to access speed regulator just below the trigger.
- Ergonomic trigger for perfect control.
- Productivity increased with low vibration level.
- Composite body is lightweight and insulates against cold.



	V.252F
A [mm]	225.0
Height H [mm]	115.0
Length L [mm]	225.0
Vibration Level [m/s ²]	11,86 (K=1,67)
Maximum Speed [rpm]	10000.0
Weight [Kg]	0.84
Diameter [mm]	152.0
Thickness E [mm]	10000.0