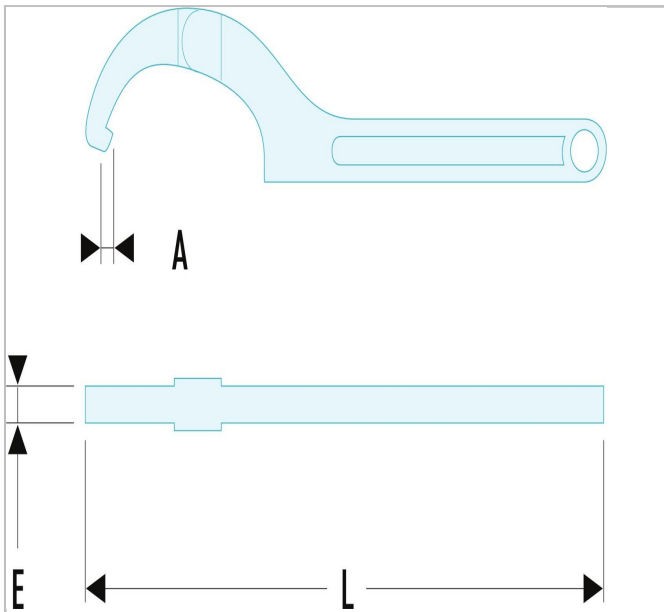



## 125A.50 | 125A - Hinged models



### Description:

- The hinge is fitted with a spring washer guaranteeing smooth and reliable operation.
- These 5 dimensions replace more wrenches than classical fixed models.
- Capacity: 15 to 180 mm.
- Presentation: satin chrome finish.



|  | <b>125A.50</b> |
|--|----------------|
| A [mm]   | 4.0            |
| A [in]   |                |
| Diameter [mm]  | 35 - 50        |
| Thickness E [mm]   | 6.0            |
| Length [mm]  | 202.0          |
| Weight [Kg]  | 0.17           |