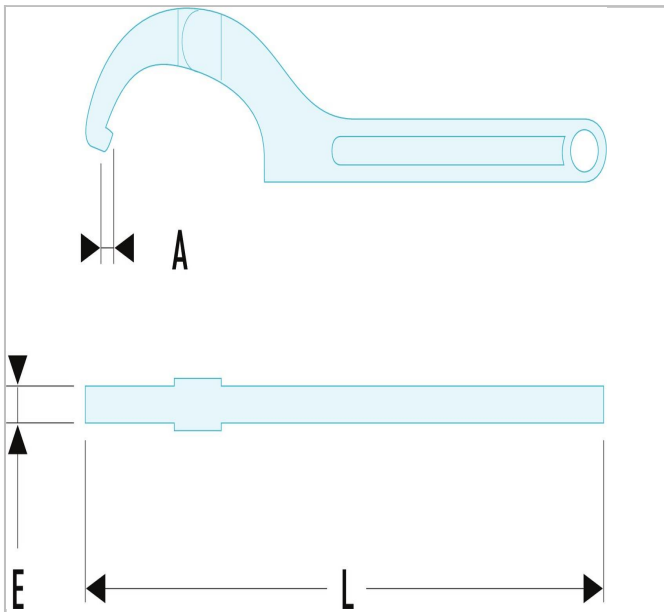



125A.180 | 125A - Hinged models



Description:

- The hinge is fitted with a spring washer guaranteeing smooth and reliable operation.
- These 5 dimensions replace more wrenches than classical fixed models.
- Capacity: 15 to 180 mm.
- Presentation: satin chrome finish.



	125A.180
A [mm]	7.5
A [in]	
Diameter [mm]	120 - 180
Thickness E [mm]	11.0
Length [mm]	492.0
Weight [Kg]	1.5