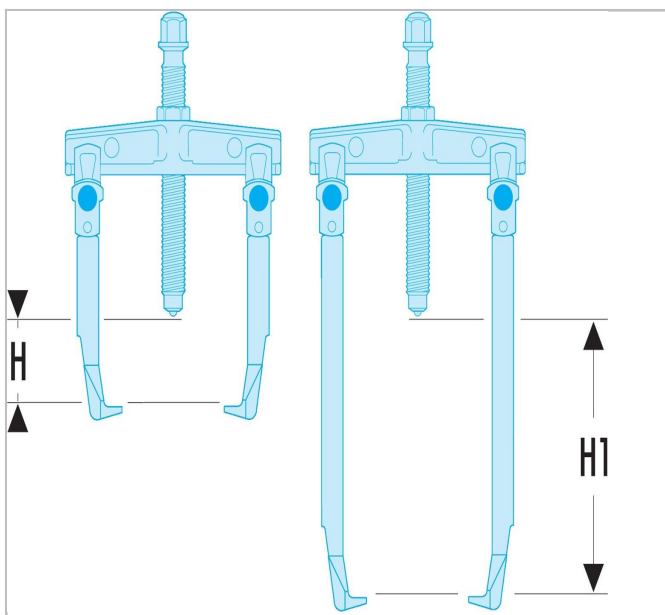


General engineering puller kit



Description:

- Comprising: - U.32T2-8: 2-tonne sliding-leg puller and set of long legs; reach P1: 105 mm, P2: 185 mm. - U.32T6-20: 6-tonne sliding-leg puller and set of long legs; reach P1: 150 mm, P2: 280 mm. - U.53T2: separator (spread 15 to 110 mm). - U.33A: 30 tonne jack.
- Supplied in metal case. BT.108 with tray PL.287 (removable tray) and PL.288 (box bottom tray).



	Length L [mm]	Height H [mm]	Length [mm]
U.102T	450.0	110.0	270.0