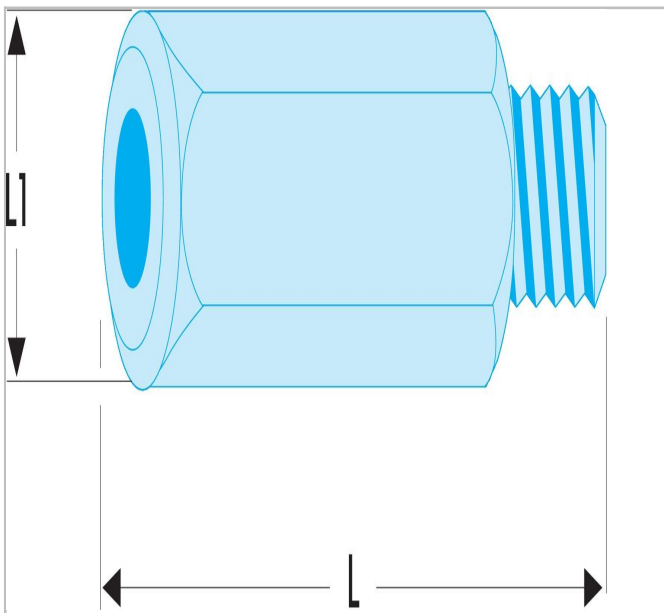


## Adaptor tip for clamps U.49P5 to P9 on slide hammer or beam



### Description:

- Female thread: M16 x 2.0.
- Male thread: 1/2" - 20 UNF.
- Used to connect the slide hammer U.306M or beam U.53KL2 to the clamps U.49P5 to U.49P9.



	Length L [mm]	Length L1 [mm]	Weight [Kg]	Screw Size ["]	Screw Size Multi [mm]
<b>U.49BR1</b>	48.0	13.0	0.1	23.0	23.0