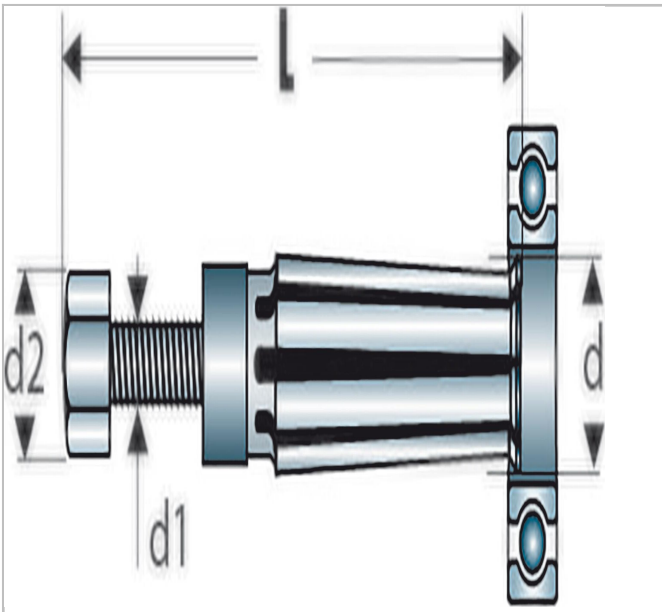



U.49P - Clamps for inside grip



Description:

- High impact and screwing / unscrewing resistance.
- Multiple flexible blades and hardly sensitive to distortion.
- Easy to use.



|  | Length L [mm] | Diameter D Maxi [mm] | Diameter D Mini - Maxi [mm] | Diameter D1 [mm] | Diameter D2 [mm] | Weight [Kg] |
|--|---------------|----------------------|-----------------------------|------------------|------------------|-------------|
| U.49P1 | 76.0 | 8.0 | 6.5 - 8 | M8 | 12.0 | 0.025 |
| U.49P2 | 76.0 | 10.0 | 8.5 - 10 | M8 | 12.0 | 0.03 |
| U.49P3 | 88.0 | 13.0 | 10.5 - 13 | M8 | 12.0 | 0.045 |
| U.49P4 | 100.0 | 18.0 | 13 - 18 | M8 | 12.0 | 0.07 |
| U.49P5 | 112.0 | 22.5 | 18 - 22.5 | 1/2" | 17.0 | 0.14 |
| U.49P6 | 139.0 | 30.0 | 22.5 - 30 | 1/2" | 17.0 | 0.3 |
| U.49P7 | 158.0 | 38.0 | 30 - 38 | 1/2" | 22.0 | 0.545 |
| U.49P8 | 190.0 | 50.0 | 38 - 50 | 1/2" | 1 - 1/4" | 1.2 |
| U.49P9 | 190.0 | 60.0 | 50 - 60 | 1/2" | 1 - 1/4" | 1.4 |