

R.SEL - 1/4" Spline long-reach sockets

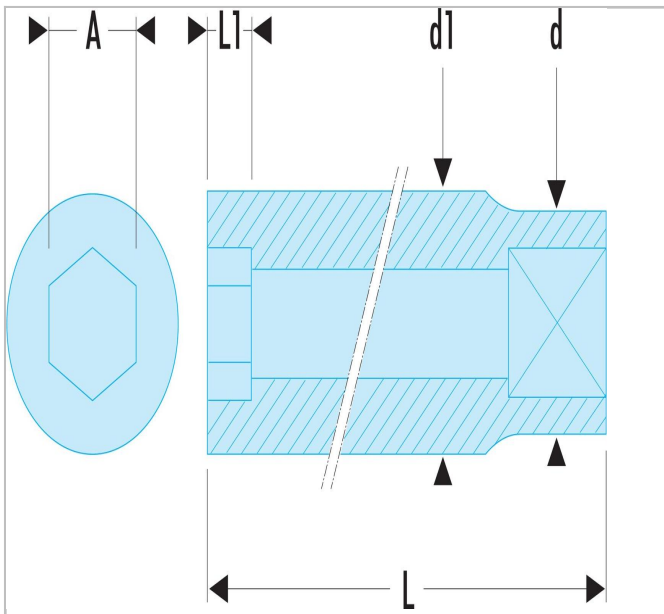



Standards:

MIL-W-8982

Description:

- Profile adapted to aerospace fasteners.
- The Spline profile ensures high versatility. It is compatible with Spline, Torx, 4-, 6- and 12-point fasteners. Ensures more effective tightening with less effort.
- Thin wall and long-reach for long recess or thread access.
- High performance level.
- Chrome finish.



	A [in]	Diameter [mm]	Diameter D1 [mm]	Length L [mm]	Length L1 [mm]	Weight [Kg]
R.10SEL	5/16"	12.0	12.0	50.0	5.5	0.024
R.8SEL	1/4"	12.0	9.5	50.0	4.3	0.02