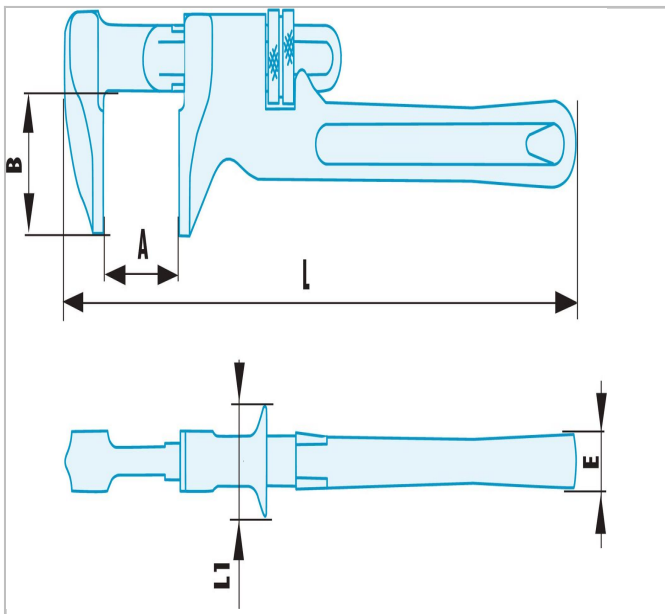



134A.SR - Vonkvrije loodgieterssleutels



Description:

- Speciale vonkvrije en anti-magnetische Koper-Beryllium legering.



	a [mm]	A [mm]	Lengte [mm]	Lengte L1 [mm]	Dikte [mm]	Hoofd Breedte B [mm]	Gewicht [g]
134A.12SR	58.0	58.0	305.0	28.0	15.0	43.0	1180.0
134A.14SR	65.0	65.0	350.0	32.0	18.0	49.5	1220.0
134A.8SR	45.0	45.0	240.0	26.0	12.0	35.5	510.0