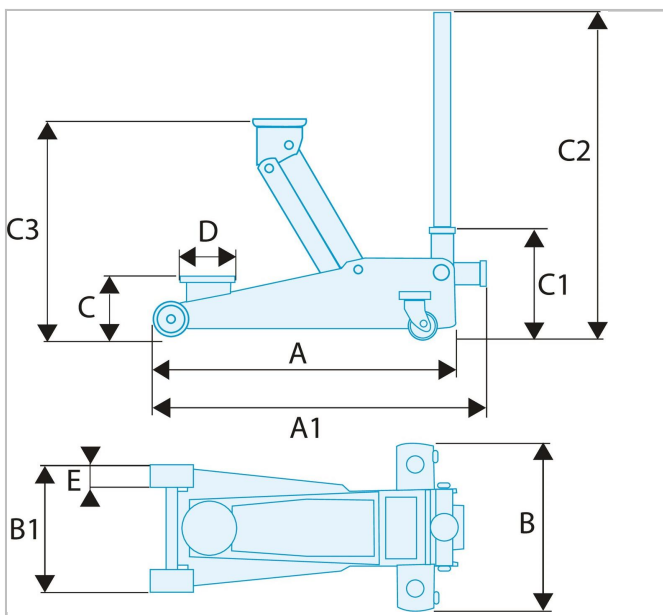



3T extra-flat compact trolley jack



Description:

- Ideal for distributions and for low ground clearance vehicles, or fitted with rocker panel protections.
- Lifting capacity: 2 t.
- Maximum lift: 505 mm
- Minimum under-body height: 75 mm.
- Quick lift double piston mechanism.
- Load descent rate regulation.
- Supplied with steel / rubber under-body bearing plate.
- Silent-running nylon tyred wheels.
- EC standard EN1494-ASME-PASE.



	A [mm]	Length L [mm]	Thickness E [mm]	Head Height C [mm]	Head Height C1 [mm]	Head Width B [mm]	Head Width B1 [mm]	Length [mm]	Weight [Kg]	Tonnes [t]	f [mm]
DL.2LP	675.0	675.0	53.0	75.0	215.0	350.0	262.0	350.0	32.5	2.0	true
DL.3CLP	688.0	688.0	52.0	100.0	230.0	375.0	285.0	375.0	42.0	3.0	true