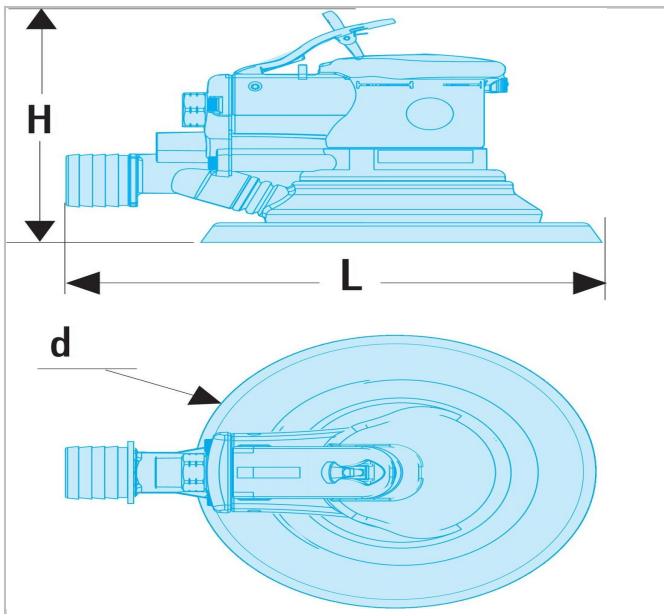



Orbital palm sander 150 m - 5 mm orbit



Description:

- Central vacuum exhaust port to allow easy removal of dust if connected to a central vacuum system.
- Easy to access speed regulator just below the trigger.
- Ergonomic trigger for perfect control.
- Productivity increased with low vibration level.
- Composite body is lightweight and insulates against cold.



	A [mm]	Height H [mm]	Length L [mm]	Vibration Level [m/s ²]	Maximum Speed [rpm]	Weight [Kg]	Diameter [mm]	Thickness E [mm]
V.252F	225.0	115.0	225.0	11,86 (K=1,67)	10000.0	0.84	152.0	10000.0