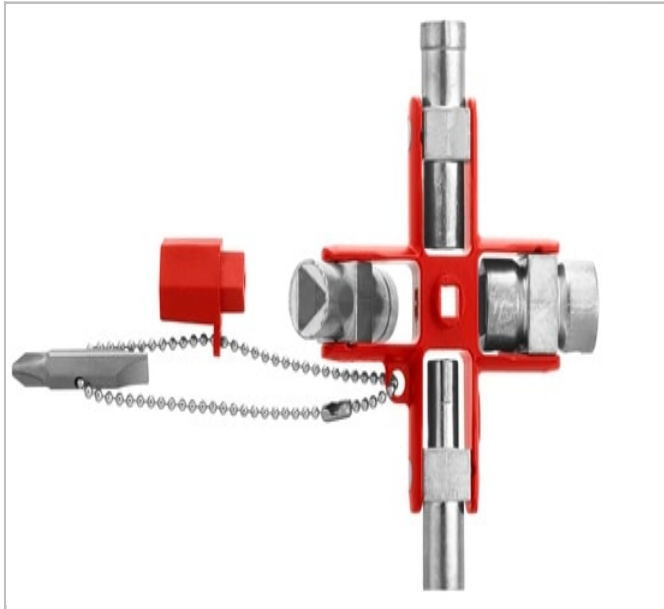


Kruissleutel met meerdere profielen



Description:

- Good access, opens most doors and elements, whether in industry or in construction.[nl]
- 1 bit with 2 screwing cavities Phillips® PH 2 (E) and slotted head 7 mm (F), linked with the wrench by a removable chain with bit adapter.[nl]
- 9 cavities in a light, compact and very handy tool. - 4 square cavities: 5, 6, 7-8, 9-10 mm (A). - 3 triangular cavities: 7, 8-9, 10-11 mm (B). - 1 slotted cylindrical cavity: 3-5 mm (C). - 1 round cavity with flat: 6 mm (D). [nl]

	Gewicht [g]
838305PB	210.0