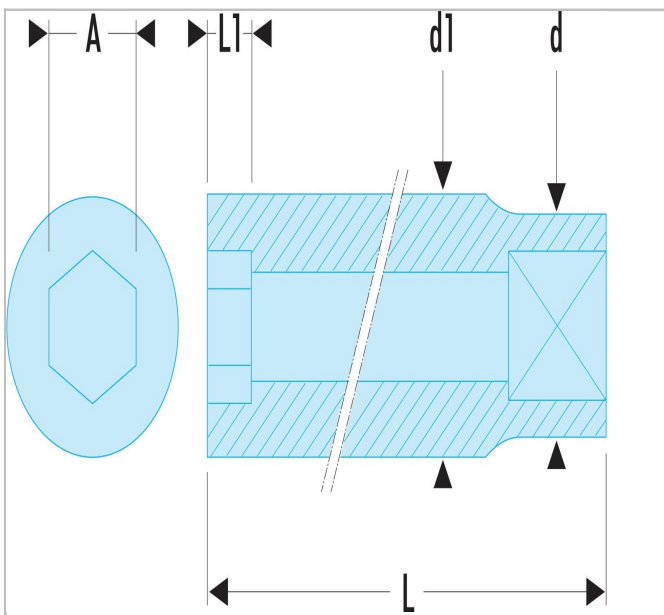



SKM.120SR - Vonkvrije schuifhandgrepen 1/2" - 3/4" - 1"



Description:

- Speciale vonkvrije en anti-magnetische Koper-Beryllium legering.



	Diameter [mm]	Lengte [mm]	Hoogte H [mm]	Gewicht [kg]
K.120SR	21.0	400.0	62.0	1.3
M.120SR	21.0	400.0	72.0	1.6
S.120SR	13.0	250.0	45.0	0.33