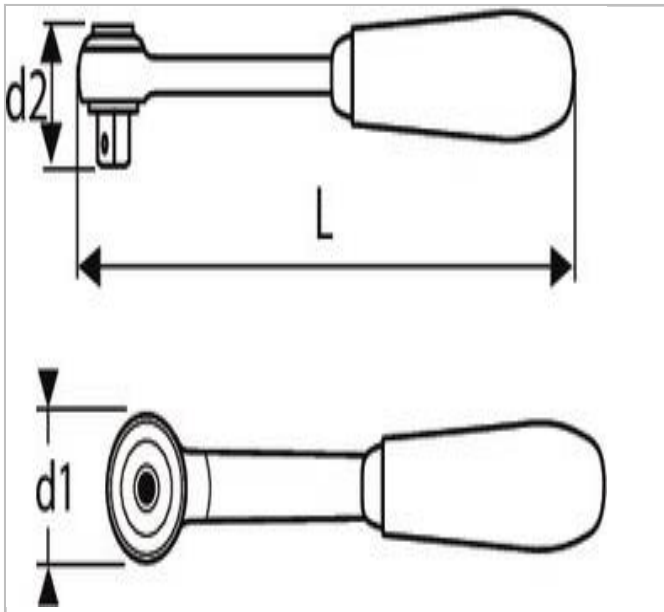


EXPERT 3/8" pear head ratchet



Description:

- ISO 3315
- DIN 3122
- ISO 1174-1
- 72 tooth mechanism.
- 5° increment.
- Socket safety lock.
- Lever reverse: rotation direction displayed.
- High Chrome finish.
- Ergonomic bimaterial handle.



	Diameter D1 [mm]	Length L [mm]	Weight [Kg]
E031706	32.0	300.0	0.285