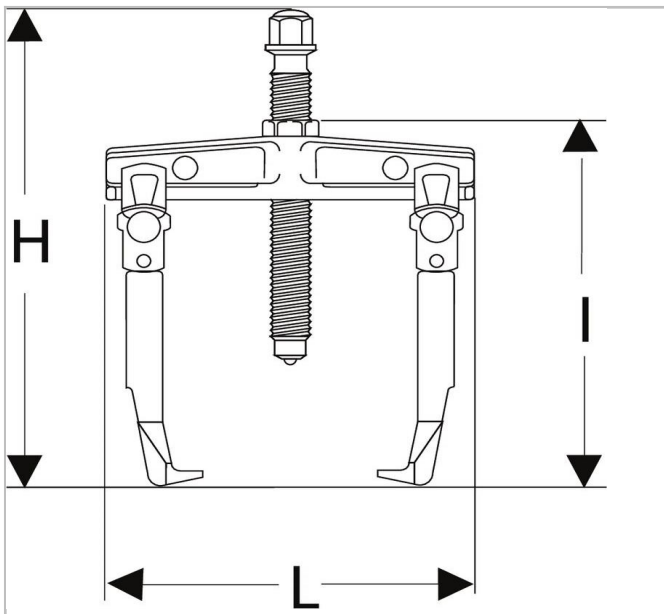


U.35 - Pullers with outside wide legs



Description:

- Safety: use in "uncrossed legs" configuration doubles capacity, but the "cross-legged" configuration should be used preferably.
- Adaptable puller accessory: slide hammer U.306M for U.35 and U.35L.
- Set of 2 spare pins: - U.42-5J2 for U.35P. - U.35-5J2 for U.35 and U.35L.



	Depth Maxi [mm]	Length L [mm]	Height H [mm]	C Mini - Maxi [mm]	Length [mm]	Screw Size ["]	Tonnes ["]	t ["]	Weight [Kg]
U.35	90.0	68.0	183.0	15 - 75	160.0	U.35SE1	4.0	40.0	1.0
U.35L	130.0	90.0	225.0	15 - 75	188.0	U.35SE1 + U.35SE3	3.0	30.0	1.2
U.35P	75.0	65.0	140.0	10 - 55	110.0	U.35P01	1.0	10.0	0.4