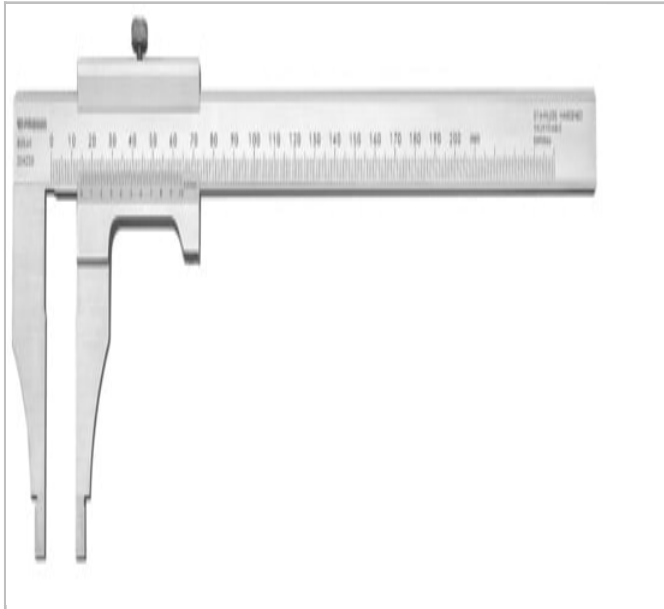


Caliper class 0 - 1/50th

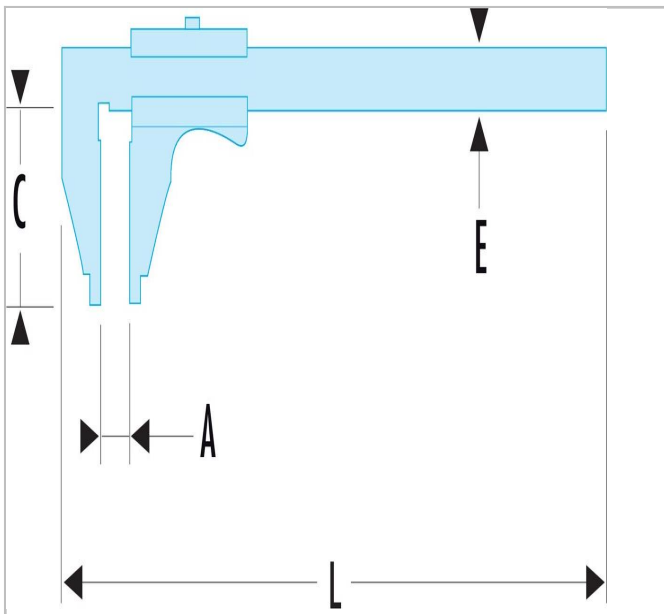



Standards:

**NF EN ISO 13385-1, ISO 13385-1,
DIN 862**

Description:

- Accuracy: 1/50th - 0.02 mm.
- Measurement capacity: 200 mm.
- Interior, exterior measurement (bore exceeding 10 mm).
- Stainless steel rule - mat finish.
- Rule hardness: 40 HRc minimum.
- Vernier with guide for better thumb position.
- Vernier endurance: 20 000 cycles minimum.
- Vernier screw locking.
- Graduations resistant to chemicals.
- Perfect contrast guaranteeing optimum reading quality.
- Supplied in case with compliance certificate.



	A [mm]	Thickness E [mm]	Head Height C [mm]	Accuracy [mm]	Bias Error ["]	Weight [g]
805.M	200.0	17.0	60.0	0.02	30.0	423.0