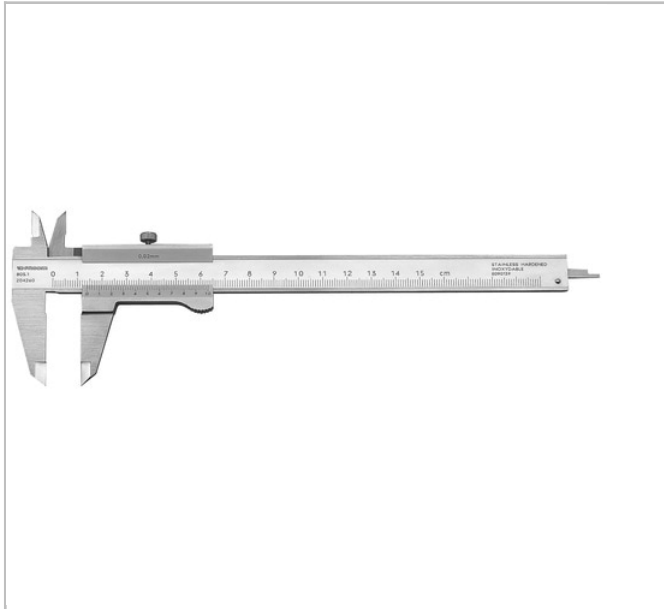


## 805 - Universal calipers class 0 - 1/50th

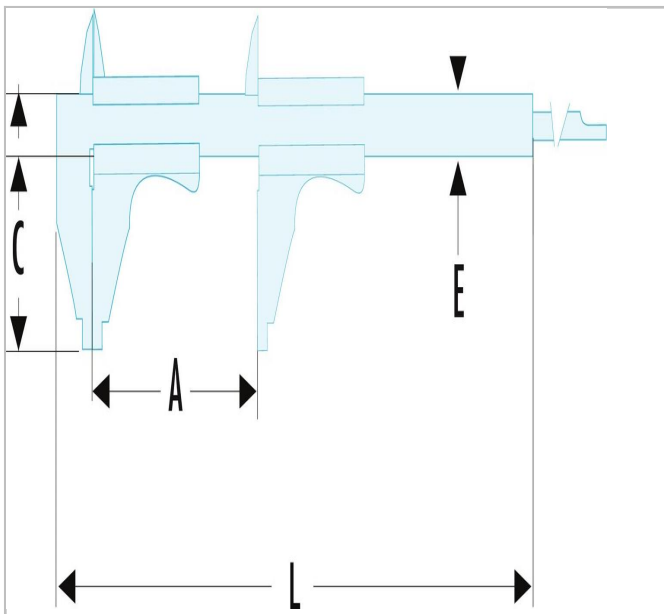



### Standards:

**NF EN ISO 13385-1, ISO 13385-1,  
DIN 862**

### Description:

- Accuracy: 1/50th - 0.02 mm.
- Interior, exterior, depth measurement.
- Stainless steel rule - mat finish.
- Rule hardness: 40 HRc minimum.
- Flat depth gauge.
- Vernier with guide for better thumb position.
- Vernier endurance: 20 000 cycles minimum.
- Vernier screw locking.
- Supplied in case with compliance certificate.



	A [mm]	Thickness E [mm]	Head Height C [mm]	Accuracy [mm]	Bias Error ["]	Weight [g]
<b>805.1</b>	150.0	16.0	40.0	0.02	20.0	290.0
<b>805.2</b>	200.0	17.0	50.0	0.02	30.0	419.0