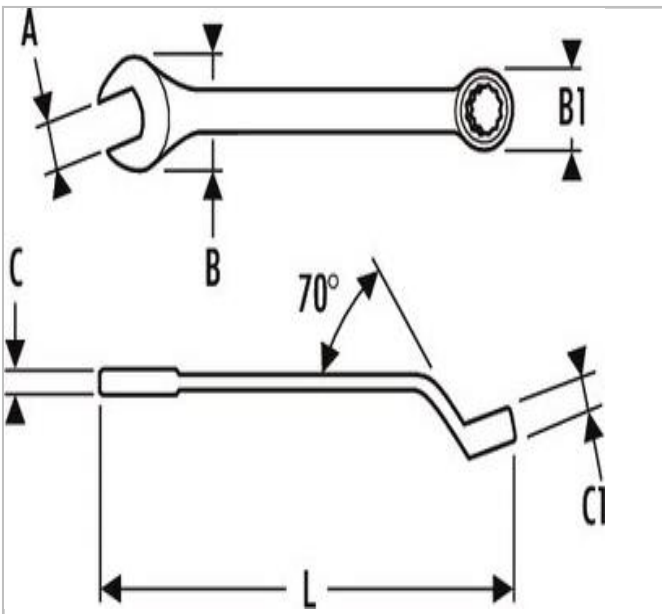


EXPERT Offset combination wrenches - Metric



Description:

- ISO 691
- ISO 1711-1
- ISO 3318
- ISO 7738
- DIN 3113
- 12-point OGV® ring angled at 10°.
- Open end angled at 15° from handle axis.
- 12-point OGV® ring wrenches offset by 70° for better access to recessed nuts.
- Forged in Chrome Vanadium steel.
- High chrome finish.



	A [mm]	Length L [mm]	Head Width B [mm]	Weight [Kg]	Head Width B1 [mm]	Head Height C1 [mm]
E117728	14	210.0	31.7	0.089	21.5	9.0