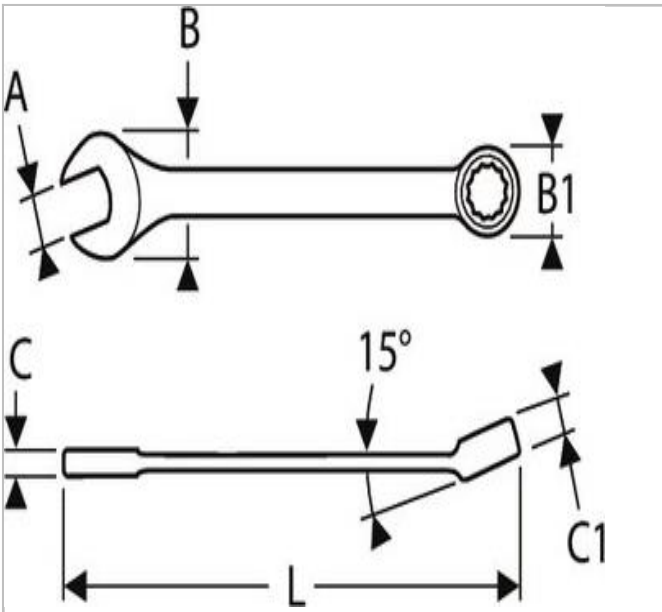



## EXPERT Combination wrenches - Inch



### Description:

- ASME B 107-100
- 12-point OGV® ring angled at 15°.
- Open end angled at 15° from handle axis.
- OGV® profile maximizing the contact surface with the nut for a longer lifetime.
- Forged in Chrome Vanadium steel.
- High chrome finish.



	A [in]	Length L [mm]	Thickness E1 [mm]	Thickness E2 [mm]	Head Width B [mm]	Head Width B1 [mm]	Weight [Kg]	Head Height C [mm]	Head Height C1 [mm]
<b>E113230</b>	5/16"	120.0	4.1	5.1	20.2	13.2	0.026	4	5.0
<b>E113235</b>	15/16"	280.0	8.2	12.9	50.7	35.0	0.293	8	12.9
<b>E113312</b>	1/4"	100.0	3.7	4.5	16.2	10.4	0.015	3,7	4.5
<b>E113314</b>	3/8"	140.0	4.6	6.5	23.7	16.0	0.038	4	6.5
<b>E113315</b>	7/16"	150.0	4.7	6.5	25.7	17.0	0.046	4,7	6.5
<b>E113316</b>	1/2"	170.0	5.5	7.5	28.7	20.6	0.068	5,5	7.5
<b>E113317</b>	9/16"	180.0	5.6	8.0	31.7	22.0	0.079	5,6	8.0
<b>E113318</b>	5/8"	200.0	5.8	9.0	36.0	24.8	0.11	5,8	9.0
<b>E113319</b>	11/16"	210.0	6.3	9.5	38.5	26.2	0.21	6,3	9.5
<b>E113358</b>	3/4"	230.0	7.1	10.3	42.2	29.0	0.15	7,1	10.4
<b>E113359</b>	13/16"	250.0	7.5	11.4	45.5	31.7	0.194	7,5	11.4
<b>E113360</b>	7/8"	260.0	8.0	11.9	48.7	33.0	0.225	8	11.9