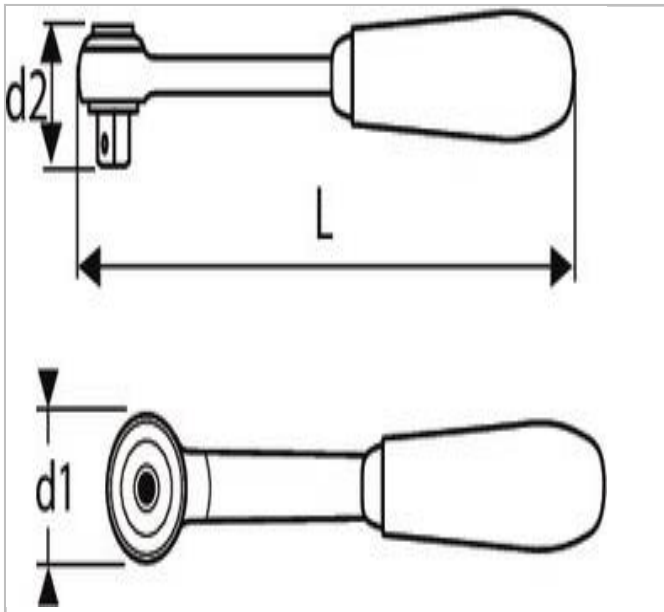


## EXPERT 1/4" metal handle pear head ratchet



### Description:

- ISO 3315
- DIN 3122
- ISO 1174-1
- 72-tooth mechanism.
- 5° increment.
- Socket safety lock.
- Lever reversing: rotation direction displayed.
- High Chrome finish.



	Diameter D1 [mm]	Length L [mm]	Weight [Kg]
<b>E030508</b>	24.0	140.0	0.136