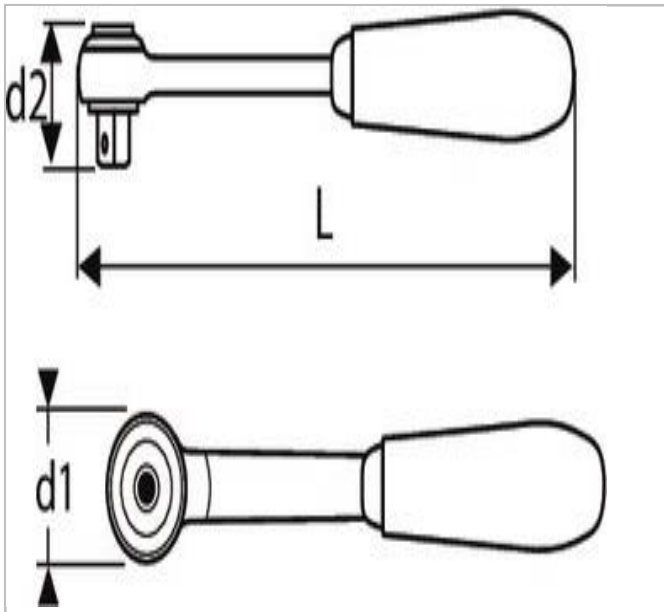


EXPERT 3/8" hinged ratchet handle



Description:

- ISO 3315
- DIN 3122
- ISO 1174-1
- 72 tooth mechanism.
- 5° increment.
- Angled handle for easy access.
- Long handle for stronger untightening.
- Socket safety lock.
- Reversing lever: rotation direction indication.
- High Chrome finish.
- Ergonomic bimaterial handle.



	Diameter D1 [mm]	Length L [mm]	Weight [Kg]
E031702	30.0	275.0	0.39