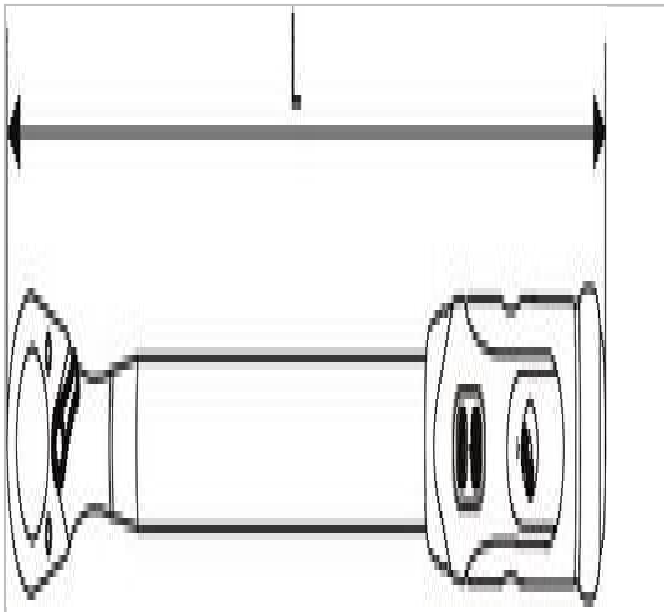



EXPERT Torque wrenches



Description:

- ISO 6789
- Accuracy: +/4%.
- Comfortable grip.
- Direct torque value reading.
- Fast and easy setting.
- Supplied with calibration certificate.



	Length L [mm]	Weight [g]	Torque [Nm]	No. []
E100105	323.0	760.0	5 - 25	1/4
E100106	400.0	988.0	10 - 50	3/8
E100107	400.0	988.0	20 - 100	1/2
E100108	517.0	1360.0	40 - 200	1/2
E100109	620.0	1730.0	60 - 340	1/2
E100110	1200.0	5850.0	150 - 750	3/4