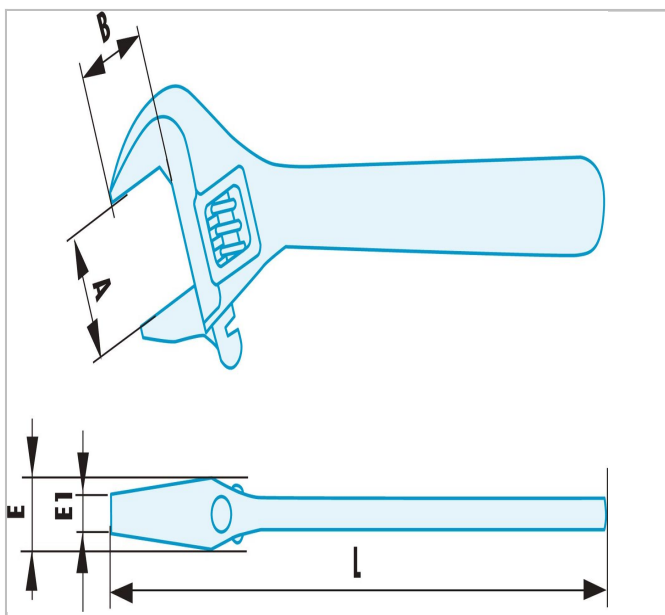



113A.SR - Non sparking adjustable wrenches



Description:

- Special non sparking and anti-magnetic Copper-Beryllium alloy.



	A [mm]	Length L [mm]	Thickness E [mm]	Thickness E1 [mm]	Head Width B [mm]	Weight [g]
113A.10SR	30.0	250.0	15.7	10.6	28.0	440.0
113A.12SR	36.0	300.0	18.8	11.2	33.0	720.0
113A.15SR	46.0	375.0	23.4	13.7	42.0	1400.0
113A.18SR	55.0	450.0	26.7	15.0	51.0	2300.0
113A.6SR	18.0	150.0	10.8	8.0	18.0	135.0
113A.8SR	24.0	200.0	13.3	9.0	24.0	280.0