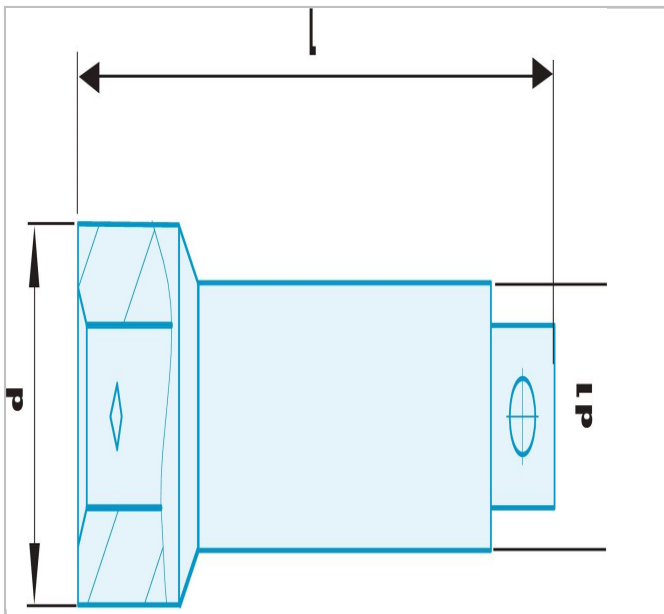



SKM.SR - Non sparking 1/2" - 3/4" - 1" extensions



Description:

- Special non sparking and anti-magnetic Copper-Beryllium alloy.



	Diameter [mm]	Length L [mm]	Weight [Kg]	Diameter D1 [mm]
K.210SR	35.0	200.0	0.96	25.0
M.210SR	45.0	200.0	1.6	34.0
S.208SR	24.0	100.0	0.245	16.5
S.210SR	24.0	125.0	0.26	16.5
S.212SR	24.0	200.0	0.485	16.5
S.215SR	24.0	250.0	0.51	16.5