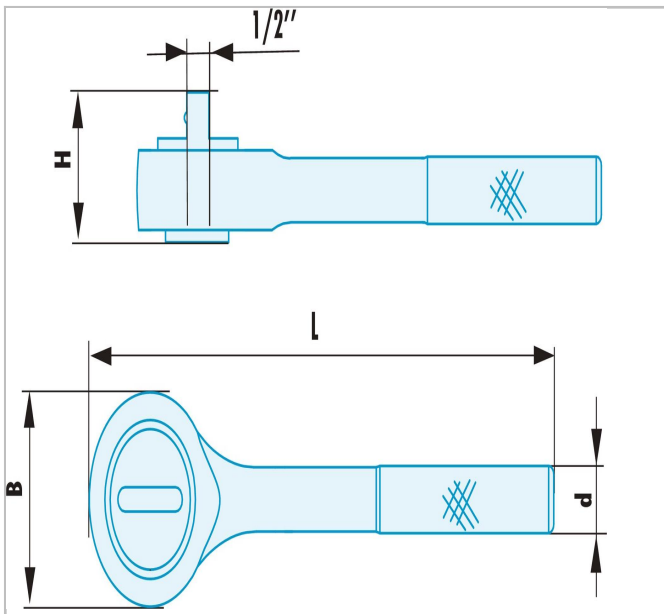



Non sparking 1/2" - 3/4" - 1" ratchets



Description:

- Special non sparking and anti-magnetic Copper-Beryllium alloy.
- The entire ratchet mechanism is made in Copper-Beryllium.



	A [mm]	Diameter [mm]	Length L [mm]	Height H [mm]	Weight [Kg]
K.149SR	70.0	21.0	320.0	58.0	1.6
M.151SR	84.0	26.0	550.0	70.0	3.4
S.155SR	48.0	17.0	245.0	43.6	0.69