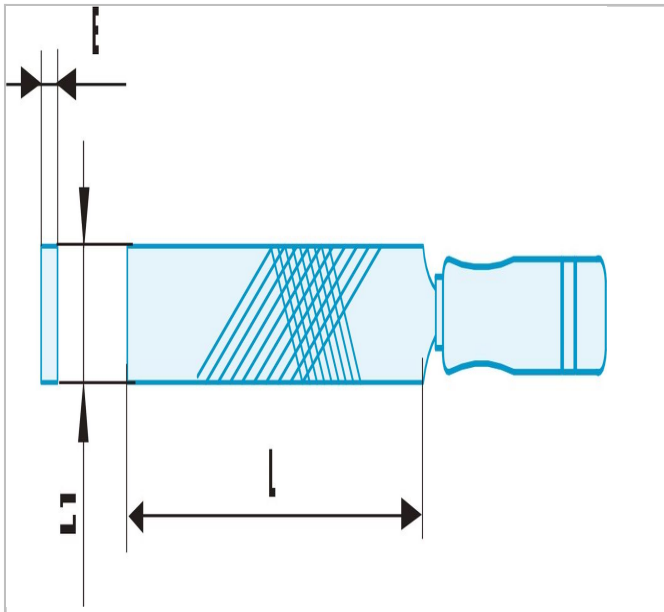



PAM.MDSR - Non sparking flat second-cut file



Description:

- Special non sparking and anti-magnetic Copper-Beryllium alloy.
- For safety purposes, FACOM uses wooden handles to prevent any risk of sparks. This is not the case of certain bi-material plastic handles.



	Length L [mm]	Weight [g]
PAM.MD200SR	200.0	160.0
PAM.MD250SR	250.0	282.0