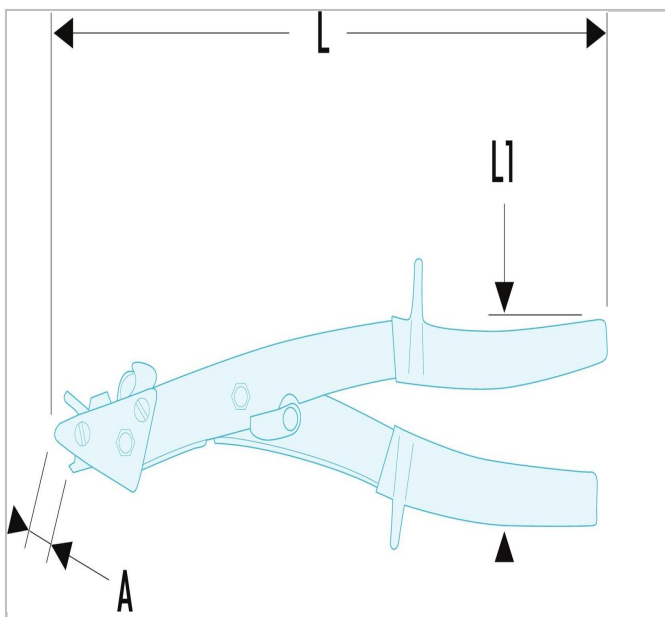


Nibblers



Description:

- Inset opening spring and high demultiplication allow effortless cutting along intricate patterns, removing a strip 2.8 mm wide.
- Die and blade system severs the strip at end of run.
- Top blades cut wire up to 2 mm in semi-hard steel and 2.5 mm in mild steel.
- Lock-closed catch.
- Cutting capacity. - Stainless 80 kg/mm²: 0,8 mm. - Semi-hard steel: 1 mm.
- Spare blade: 887A.L1.



	A [mm]	Length L [mm]	Length L1 [mm]	Weight [g]
887A	7.0	260.0	45 - 110	520.0