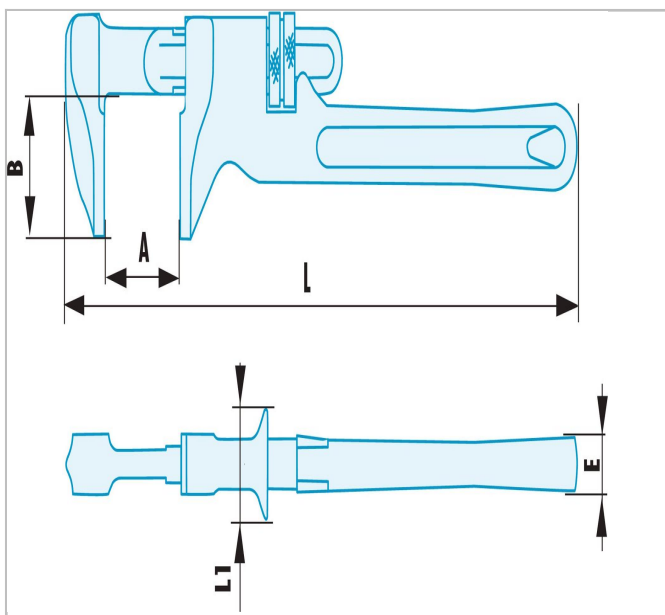



134A.SR - Llaves de cremallera ADF



Description:

- Aleación especial Cobre-Berilio antichispa y antimagnético.



	a [mm]	A [mm]	A [mm]	Longitud [mm]	Longitud L1 [mm]	Grosor [mm]	Cabeza Anchura si [mm]	Peso [g]
134A.12SR	58.0	58.0		305.0	28.0	15.0	43.0	1180.0
134A.14SR	65.0	65.0		350.0	32.0	18.0	49.5	1220.0
134A.8SR	45.0	45.0		240.0	26.0	12.0	35.5	510.0