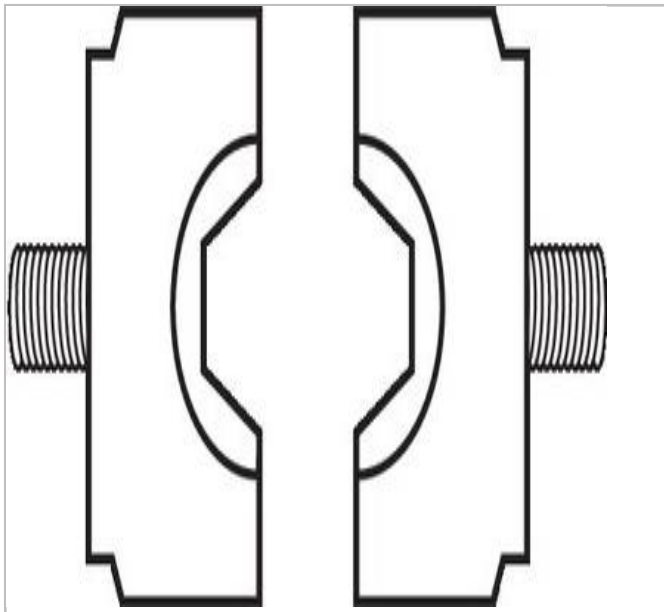


Matrices de engatillar hexagonales



Description:

- Para alicates de engatillar 985913.
- Para terminales y manguitos tubulares.



	Peso [g]
985914	64.0
985915	88.0
985916	91.0
985917	89.0
985918	85.0
985919	79.0
985920	78.0
985921	76.0
985922	61.0
985923	66.0