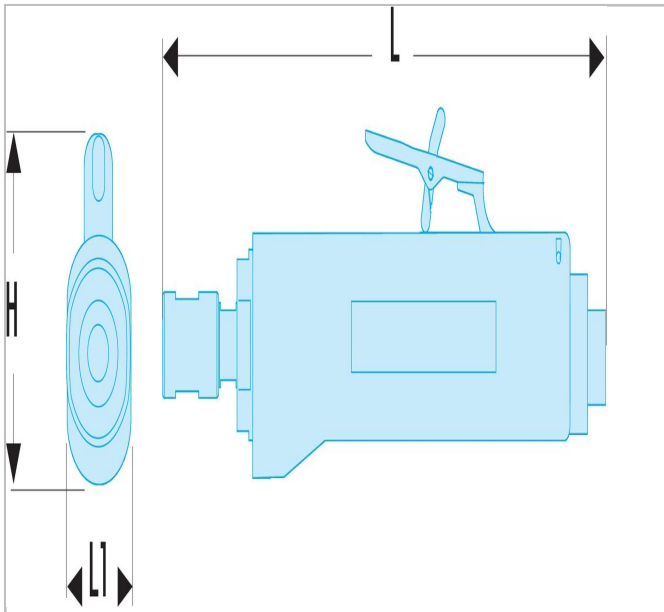



## Straight die grinder - 6 mm collet front exhaust



### Description:

- High power motor at 1HP gives you the best productivity.
- Composite handle reduces weight and insulates.
- Front exhaust design blows the air on the workplace to clean it up.
- Industrial grade 6 mm collet for durability.
- Feather teasing trigger for optimum control.



	Height H [mm]	Length L [mm]	Vibration Level [m/s <sup>2</sup> ]	Maximum Speed [rpm]	Weight [Kg]	Length L1 [mm]	Nominal maximum RPM [Mn]
V.445F	80.0	207.0	0,99 (K=0,59)	20000.0	20000.0	43.0	20000.0