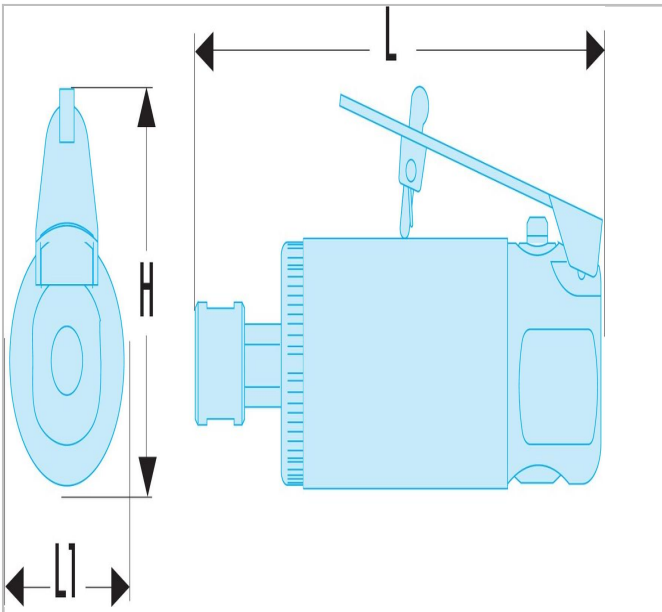



## Straight die grinder - 6 mm collet



### Description:

- Built in air regulator which can be adjusted with a screwdriver.
- Feather teasing trigger for optimum control.
- Compact and lightweight tool designed for easy manoeuvrability.



|  | Height H [mm] | Length L [mm] | Vibration Level [m/s <sup>2</sup> ] | Maximum Speed [rpm] | Weight [Kg] | Length L1 [mm] | Nominal maximum RPM [Mn] |
|--|---------------|---------------|-------------------------------------|---------------------|-------------|----------------|--------------------------|
| V.345F   | 62.0          | 142.0         | 1,52<br>(K=0,76)                    | 20000.0             | 0.56        | 40.0           | 20000.0                  |