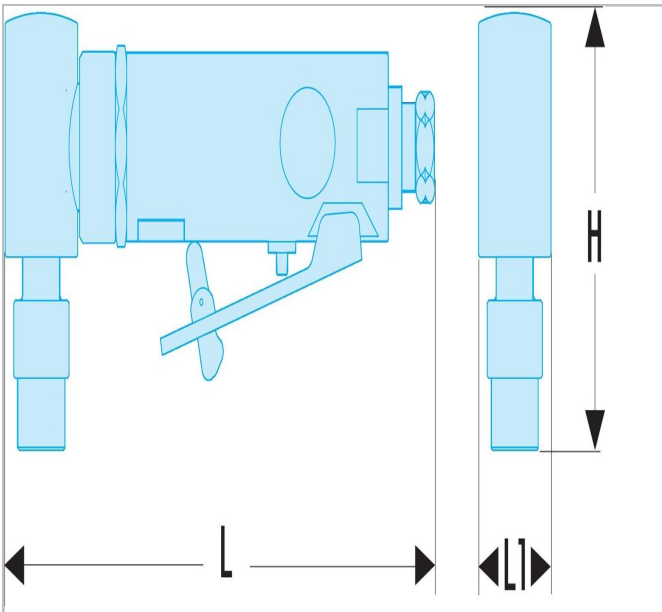


Angle die grinder - 6 mm collet



Description:

- Built in air regulator which can be adjusted with a screwdriver.
- Compact angled head for difficult-to-reach places.
- Feather teasing trigger for optimum control.
- Rear exhaust hose blows air away from the workplace, and reduces the sound level.
- Supplied with 6 mm pliers + 2 open end wrenches.



	Height H [mm]	Length L [mm]	Vibration Level [m/s ²]	Maximum Speed [rpm]	Length L1 [mm]
V.347F	347.0	160.0	1,52 (K=0,53)	18000.0	27.0