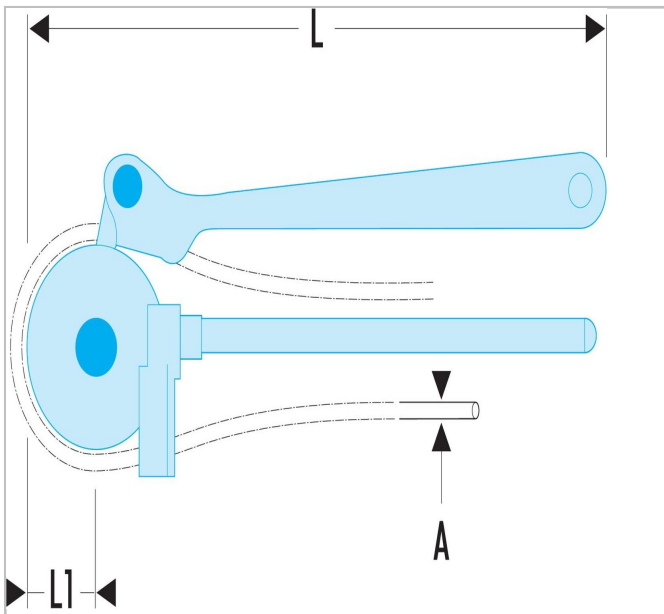



344B - Bending pliers



Description:

- Capacity: 8 to 18 mm.
- To shape pipes in cold drawn or annealed copper.
- Easy use on the work place without particular installation.
- Bending angle measurement (0° - 180°).
- Can be carried on a tool box.
- Made in forged and machined steel.



	A [mm]	Length L [mm]	Length L1 [mm]	Weight [Kg]
344B.10	10.0		23.0	0.7
344B.12	12.0		30.0	0.9
344B.18	18.0	380.0	55.0	
344B.8	8.0		14.0	0.34