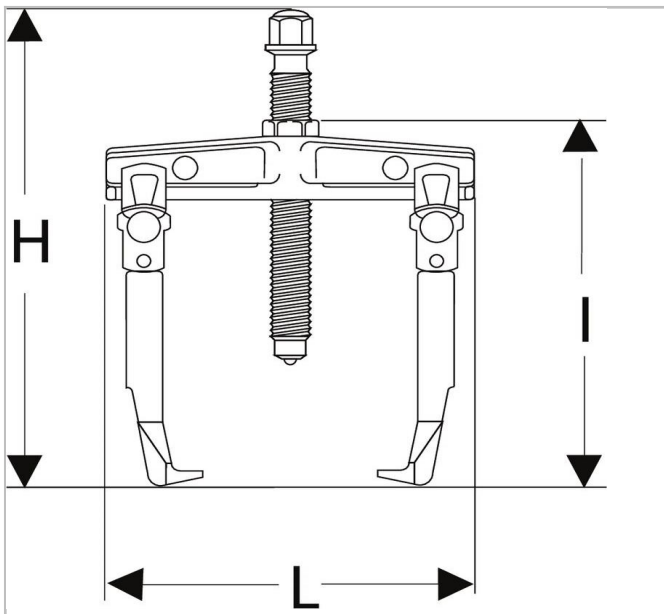


High-capacity wide leg outside puller



Description:

- Safety: use in "uncrossed legs" configuration doubles capacity, but the "cross-legged" configuration should be used preferably.
- Adaptable puller accessory: slide hammer U.2.



	Depth Maxi [mm]	Length L [mm]	Height H [mm]	C Mini - Maxi [mm]	Length [mm]	Screw Size ["]	Tonnes ["]	t ["]	Weight [Kg]
U.34	245.0	215.0	370.0	40 - 180	315.0	U.20B1	7.0	70.0	4.4