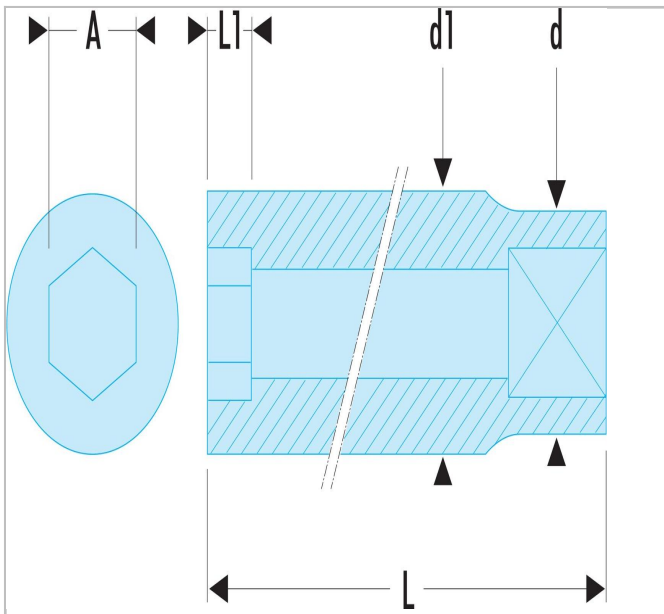



S.HLA - Bussole 1/2" lunghe esagonali metriche



Description:

- Profilo OGV®: maggiore potenza e sicurezza, preserva gli inserti.
- Bussole lunghe dedicate agli accessi in profondità o filettature lunghe.
- Finitura: cromata satinata.



	a [mm]	A [mm]	Hex Size [mm]	Diametro [mm]	Diametro D1 [mm]	Length L [mm]	Length L1 [mm]	Peso [g]
S.12HLA	12.0	12.0	6.0	21.8	17.8	77.0	12.0	105.0
S.13HLA	13.0	13.0	6.0	21.8	19.0	77.0	12.0	115.0
S.14HLA	14.0	14.0	6.0	21.8	20.3	77.0	15.0	120.0
S.15HLA	15.0	15.0	6.0	21.8	21.5	77.0	15.0	125.0
S.16HLA	16.0	16.0	6.0	22.0	22.8	77.0	15.0	130.0
S.17HLA	17.0	17.0		23.0	24.0	77.0	15.0	140.0
S.18HLA	18.0	18.0	6.0	24.0	25.0	77.0	18.0	160.0
S.19HLA	19.0	19.0	6.0	25.0	26.5	77.0	18.0	160.0
S.21HLA	21.0	21.0	6.0	27.0	29.0	77.0	18.0	200.0
S.22HLA	22.0	22.0	6.0	28.0	30.0	77.0	21.0	215.0
S.23HLA	23.0	23.0		29.0	31.5	77.0	21.0	235.0
S.24HLA	24.0	24.0	6.0	30.0	32.8	77.0	24.0	255.0
S.26HLA	26.0	26.0	6.0	32.0	35.0	77.0	24.0	280.0
S.27HLA	27.0	27.0	6.0	33.0	36.5	77.0	27.0	310.0
S.28HLA	28.0	28.0	6.0	34.0	37.8	77.0	27.0	330.0
S.29HLA	29.0	29.0	6.0	35.0	39.0	77.0	27.0	355.0
S.30HLA	30.0	30.0	6.0	36.0	40.0	77.0	30.0	355.0
S.32HLA	32.0	32.0	6.0	38.0	42.8	77.0	33.0	410.0